

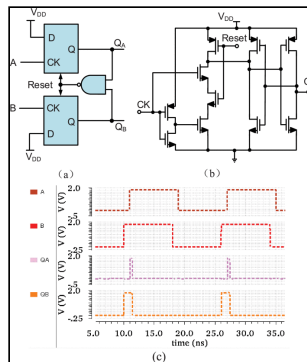


# IEEE TRANSACTIONS ON NUCLEAR SCIENCE



NOVEMBER 2022 VOLUME 69 NUMBER 11 IETNAE (ISSN 0018-9499)

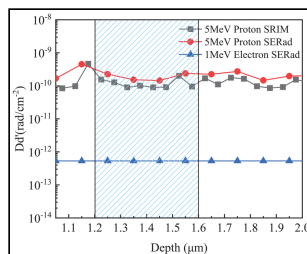
## Features in This Issue



### A Waveform Sampling Prototype ASIC for Picosecond-Level Time Measurement

by Jiajun Qin, Yuting Wang, Lei Zhao, Boyu Cheng, Han Chen, and Qi An

[Read More](#)



### Reliability Evaluation of Superluminescent Diodes in Space Environment Based on Bayesian Networks

by Zhaofeng Zhen, Yu Han, Xiuhai Cui, Hao Jiang, Yang Song, Jianqun Yang, Weiqi Li, and Xingji Li

[Read More](#)



## IEEE Transactions on Nuclear Science

A publication of the IEEE Nuclear and Plasma Sciences Society.

[VIEW THE TABLE OF CONTENTS](#)

[T-NS Home](#)

[T-NS in IEEE Xplore](#)

[Early Access](#)

[Manuscript Submission](#)

[View the full series on IEEE Xplore.](#)



© {{my.copyright year:default=edit me}}  
IEEE— All rights reserved.

[Website](#) | [Privacy Policy](#) | [Unsubscribe](#)

