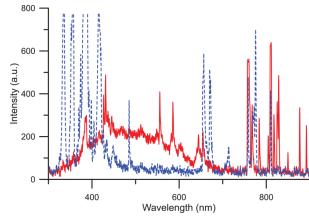


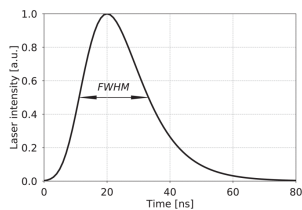
Featured Articles



Imaging of a High-Power Millimeter Wave Beam Using a Millimeter Wave-Induced Gas Breakdown Initiated by a Metal-Dielectric Screen

by Mikhail S. Gitlin; Svetlana A. Bulanova; Andrey P. Fokin; Mikhail Yu. Glyavin; Alexey A. Orlovskiy; Andrey A. Ananichev, and Alexandr I. Tsvetkov

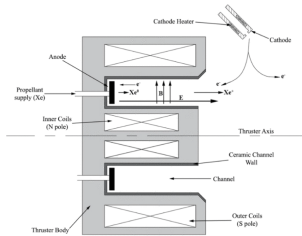
[Read More](#)



Two-Dimensional Simulations of Laser Shock Peening of Aluminum With Water Confinement

by Vasily Pozdnyakov, and Jens Oberrath

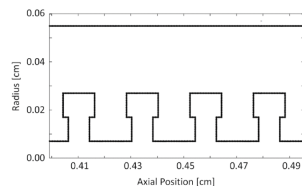
[Read More](#)



Hall-Effect Thrusters for Deep-Space Missions: A Review

by Archit Bapat, Pramod B. Salunkhe, and Aakash V. Patil

[Read More](#)

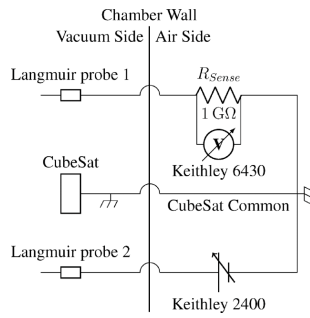


Experiments on a Disk-on-Rod Traveling Wave Tube Amplifier Driven by a Nonlinear Transmission Line Modulated Electron Beam

by David H. Simon, Brad W. Hoff, James A. Schrock, Sterling Beeson, Wilkin Tang, Paul D. Lepell, Thomas Montoya, David M. French, and Susan L. Heidger

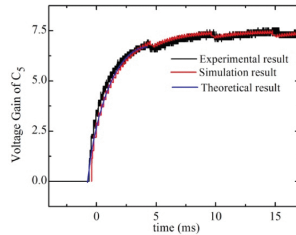
[Read More](#)

The Twin-Probe Method: Improving Langmuir Probe Measurements on Small Spacecraft



by Omar Leon, Jesse McTernan, Jason Vaughn, Todd Schneider, Grant C. Miars, Walter R. Hoegy, and Brian E. Gilchrist

[Read More](#)



A Novel Modular Pulse Generator With High Voltage Gain and Reduced Number of Capacitors

by Yanan Gu, Chaohai Zhang, Weijie Bian, Shuqun Wu, and Zhuang Xu

[Read More](#)



IEEE Transactions on Plasma Science

A publication of the IEEE Nuclear and Plasma Sciences Society.

[VIEW THE TABLE OF CONTENTS](#)



[T-PS Home](#) [T-PS in IEEE Xplore](#) [Early Access](#) [Manuscript Submission](#)

[View the full series on IEEE Xplore.](#)

© {{my.copyright year}} IEEE— All rights reserved.

[Website](#) | [Privacy Policy](#) | [Unsubscribe](#)